



## Indirect UVC air disinfection unit

- **UVC air**
- **2x TUV 30W HO (Philips)**
- **No ozone emission**
- **IP20 - dustproof**



B Air takes care of 24h air disinfection in the presence of people and animals and eliminates bacteria, viruses and fungal and mold spores in the air. This indirect UVC air disinfection unit can be used in production halls, health care facilities, pharmacies, public transport, shops and many more.

### FUNCTION

---

- Disinfect secondary infections
- Eliminates bacteria
- Deactivates virus
- Kill airborne fungi
- Kill airborne mold

### APPLICATIONS

---

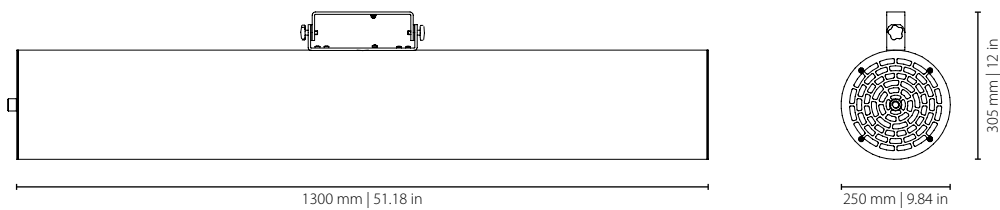
The B Air can be used everywhere where air needs to be sterilized, such as:

- Production halls,
- Hospitals,
- Healthcare facilities,
- Public transport,
- ...

## SPECIFICATIONS

<b>Wavelength</b>	253.7nm (254nm)
<b>Lamp life</b>	> 9.000 hrs
<b>Fan noise level @ 1m center</b>	47 dB
<b>Coverage</b>	up to 25 m <sup>2</sup>
<b>Fan capacity</b>	117 m <sup>3</sup> /h
<b>Voltage</b>	230 V; 50 Hz
<b>Power consumption</b>	88 W
<b>Net weight</b>	9 kg   19,8 lb
<b>Gross weight</b>	10 kg   22 lb

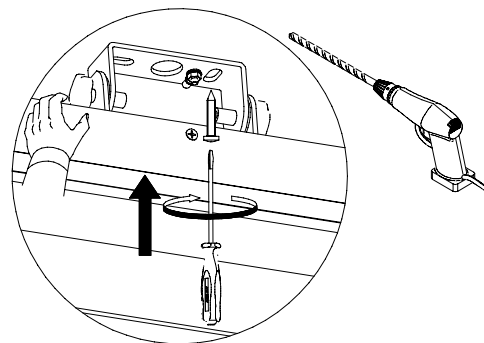
## DIMENSIONS



## MOUNTING

### Hanging bracket

5 holes  
20 mm center hole



## COMPLIANCE (DIRECTIVE EP AND C NO.)

---

<b>2014/35/EU</b>	LVD recast of 2006/95/EC	<b>2011/65/EU + 2015/863</b>	ROHS
<b>2014/30/EU</b>	EMC	<b>2012/19/EU</b>	WEEE

---

## CERTIFICATIONS

---

<b>CE</b>	Yes	<b>CETL</b>	Pending
<b>ETL</b>	Pending		

---